

UL4000 Cordless Ultra-Lok[®] Tool

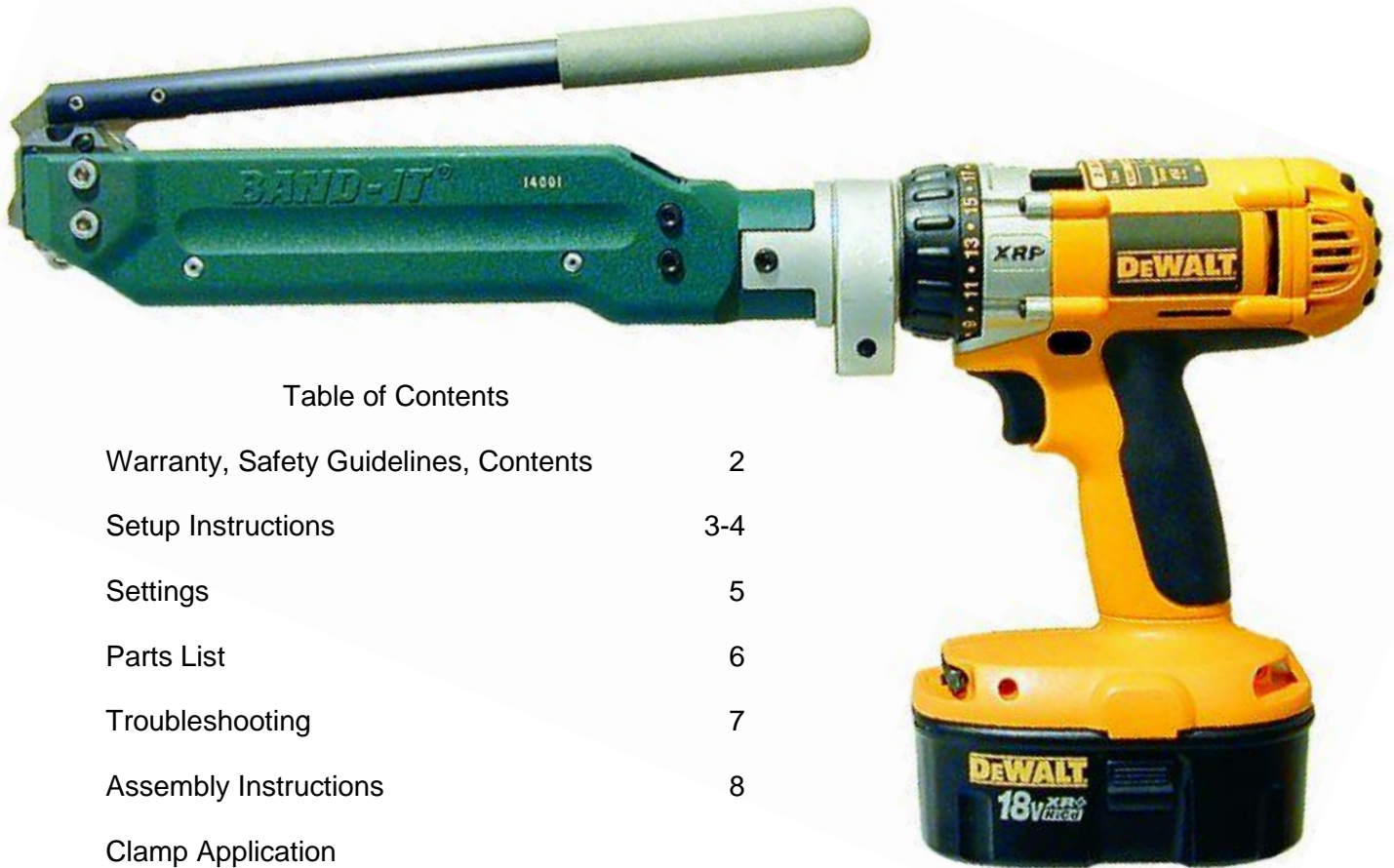


Table of Contents

Warranty, Safety Guidelines, Contents	2
Setup Instructions	3-4
Settings	5
Parts List	6
Troubleshooting	7
Assembly Instructions	8
Clamp Application	
Free-End	9-10
Preformed	11
Maintenance	12-13
Blade Change	14

Warranty:

Refer to website for warranty information: www.band-it-idex.com/warranty.html

NOTE: Any performance data published herein is based on laboratory tests, which cannot duplicate conditions that may be encountered in field installations. Such conditions may vary results substantially from those shown (such as abuse in handling and installation, failure to follow recommended handling and installation practices, abnormal environmental conditions, disregard of operating instructions for BAND-IT tools or non-recommended combinations of BAND-IT products). BAND-IT cannot be responsible for performance characteristics from such variables.

Safety Guidelines

When applying clamps, care should be taken to make certain that fingers are not in the way of the clamp being applied. Tensioning the clamp can be stopped immediately by releasing the trigger. Detailed instructions are in this manual and the operator is advised to read it and become familiar with operating the tool.

IMPORTANT: When clamping a hose end, remember that a tighter clamp keeps the fitting more secure, but excess tension could damage the hose. Fitting stem must have prominent barbs for proper retention inside the hose, but must not be sharp to prevent cutting into the hose. Hose, fitting and clamp must be compatible with each other and the environment used in. If in doubt, consult the hose or fitting manufacturer or call BAND-IT.

Clamping objects other than hose requires similar precautions.

CAUTION: Improperly tightened clamps may result in dangerous hose assemblies, which could cause injuries or property damage.

CAUTION: Abuse or use of a hose outside the manufacturers recommended conditions may cause it to quickly deteriorate and become a safety hazard. This could result in serious injury or property damage. Inspect and test hose assemblies frequently.

Contents

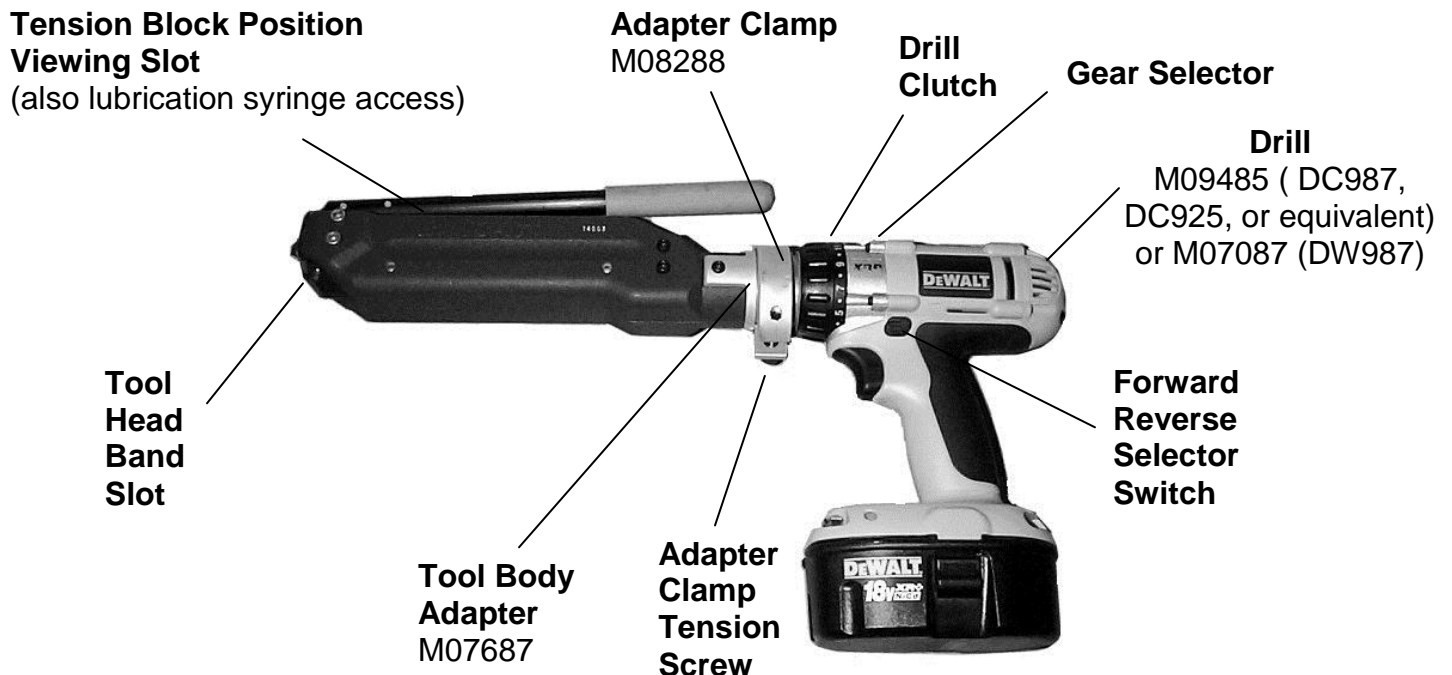


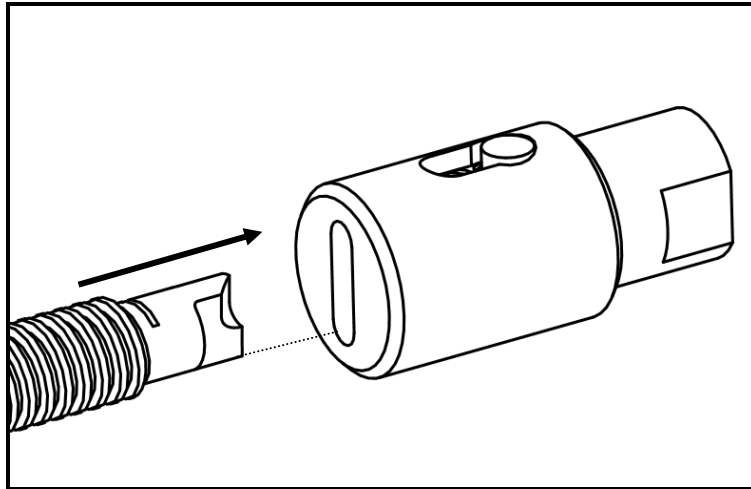
Warning:

Always wear safety glasses when operating this tool. Keep both hands away from clamp being tensioned. Use common sense, squeezing force of ¾" clamp can reach as high as 2 tons. Never attempt to clamp objects which can shatter, or otherwise cause bodily harm.

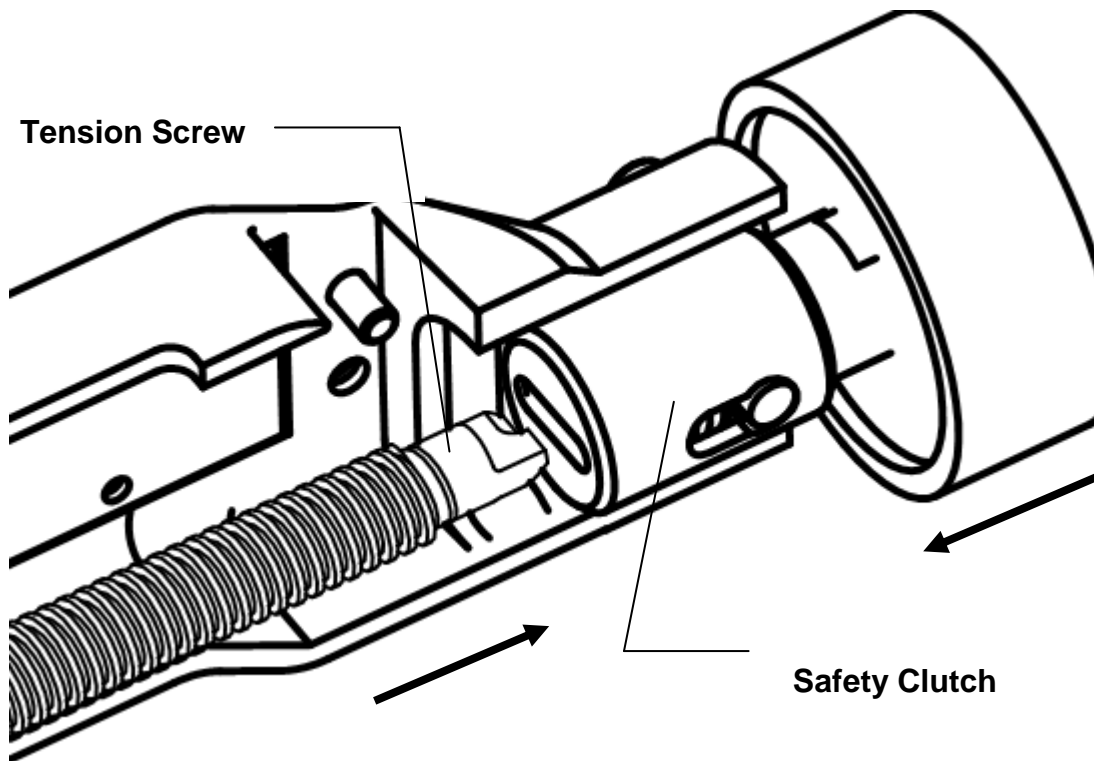
1. Read safety instructions and operator's manual for the DeWalt DC987/DW987/DC925 cordless drill. Check to make sure drill is properly set up for use with Band-It Ultra-Lok® tool as follows:
 - Drill spindle has adapter clutch (Band-It #M21790) installed in place of standard drill chuck.
 - Speed gear selector must be on number **1**, and drill clutch torque setting as shown on page 5.
2. Charge drill according to the operator's manual for the DeWalt cordless drill.
3. To mount drill onto Band-It Ultra-Lok tool: First use the two #10-32 x 3/8" screws supplied with tool to tighten tool adapter body to the tool. With adapter clamp on tool adapter body, insert drill into back of tool through the adapter clamp. Turn drill manually to desired position in relation to tool. Press the drill firmly into tool. Actuate drill if necessary to engage drill safety clutch (M21790) to tension screw. Tighten clamp screw while keeping the drill firmly pressed against the tool. To remove drill from tool: loosen the clamp screw and pull drill away from the tool.
4. This tool was designed for, and can only be used with BAND-IT ¾" and ½" wide Ultra-Lok® clamps. Do not attempt to use on any other type of clamp as it may damage tool. Only use ½" wide clamps when the optional ½" shear plate (BAND-IT #M09387) has been installed in the head in place of the ¾" shear plate.

Use only with BAND-IT ¾" and ½" Ultra-Lok Free-End and Preformed Clamps





NOTE: Alignment is critical for proper tool function.



Note: Some components are not visible in this illustration.

When installing the tool on the drill, be careful to align the end of the Tension Screw with the slot in the end of the safety clutch, as shown above.

Recommended Drill Clutch Torque Settings:

Drill Model	DC987		DW987		DC925	
Clamp Size	3/4"	1/2"	3/4"	1/2"	3/4"	1/2"
Single Wrap	11-13	5-9	5-7	4-6	11-15	3-7
Double Wrap	17-22	11-13	15-19	5-7	19-20	11-15
*Preformed	17-22	11-13	15-19	5-7	19-20	11-15

Always Set Speed Selector to "1"

NOTE: These torque settings are suggested settings only, individual tools should be adjusted for the clamping application.

The tool accompanying this manual was function tested at a clutch setting of _____ and produced a pull-up force of _____ lbf.

Serial # _____ Tested by: _____ Test date: _____

*IMPORTANT: Larger sizes of preformed clamps (5" and up) may require a lower setting to avoid over-stressing the lock and creating potentially unsafe assemblies. Inspect lock per instructions on page 9-11.

NOTE: When tightening the adapter clamping screw, safety clutch (M21790) must be engaged with tension screw inside of BAND-IT tool.

Important: Changing speed setting will alter tension output. Speed setting must remain at 1 when applying tension to the clamp tail. Drill switch must be depressed fully by the operator to attain correct tension when installing clamps. Tension output may be somewhat different from tool to tool on the same setting, depending on condition and wear of internal components.

Use of Alternate Drills**CAUTION !**

The UL4000 tool is designed to work mounted to the DeWalt DC987/DW987/DC925 cordless drill. Use of any other drills in place of the DeWalt may result in unsatisfactory performance, hazards to the operator and/or the tool, or unsafe clamps. Use of alternate drills must be approved in writing by the Director of Engineering at BAND-IT-IDEX, Inc. Disregard of this caution voids the warranty of the tool and releases BAND-IT of any and all liabilities arising from such misuses.

Notes:

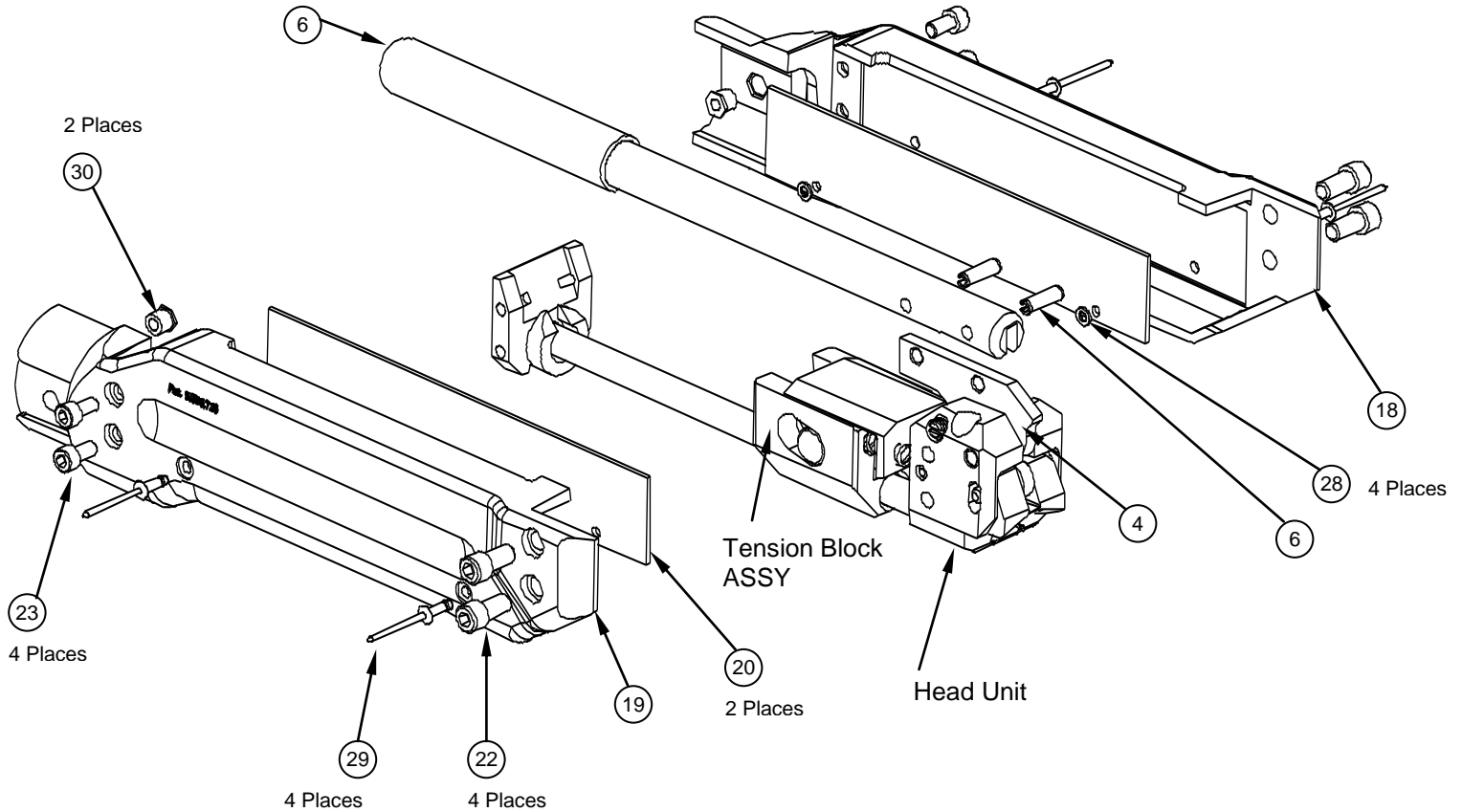
Apply Item 31 (Grease) to:
 Item 4 (Cut off Cam)
 Item 3 (Cutter Knife) at contact point with item 1 (Tool Head)
 Item 26 (Spring) before installation

Apply Item 32 (Grease) to:
 Item 7 (Tension Screw) threads and grooved end
 Item 2 (Cutter Blade) counter-bore only, after item 14 (Bearing Tip) has been installed.

Tighten the following:
 Item 23 (#10-32 Screws)
 to 60 – 70 in-lbs.
 Item 22 (1/4-28 Screws)
 to 90 – 110 in-lbs.

Adjust Item 24 (Plunger) for
 positive detent action when
 item 6 (Handle) is actuated.

Item	Part Number	Quantity	Description
1	M00587	1	Tool Head, Fin. UL
2	M09787	1	Cutter Blade, UL
3	M08687	1	Cutter Knife, UL
4	M08987	1	Cam, Cut-off, UL
5	M09087	1	Tension Block, Mach., UL
6	UL1219	1	Handle Assembly: Includes Handle, Handle Grip, and Pins
7	M00987	1	Tension Screw, Fin.
8	M08887	1	Gripper, UL
9	M01787	1	Plate, Back, Cast/Fin.
10	M09187	1	Gripper Guide, UL
11	M02387	1	Plate, Release, cast/fin.
12	M00287	1	Roller, Cut-off, Fin.
13	M01388	2	Pin, .187 Dia X 1.50 Long, Fin.
14	M05387	1	Bearing Tip, Fin.
15	M06587	1	Ball, 1/4" Diameter
16	M02287	1	Tip, Load Bearing, Fin.
17	M04387	1	Tripper Bracket, Cast/Fin.
18	M07387	1	Body, Left, Finished, UL
19	M07487	1	Body, Right, Finished, UL
20	M07587	2	Wear Plate, Fin.
21	M05787	2	Screw, Socket Head Cap, 1/4 X 1"
22	J67287	4	Screw, Socket Head Cap, 1/4 X 1/2"
23	M06187	4	Screw, Socket Head Cap, #10-32 X 3/8"
24	M02487	2	Screw, Spring Plunger, 1/4-20
25	A33887	1	Spring, Compression, .180 X .813 Long
26	A53587	2	Spring, Compression, .300 X 1.00 Long
27	M01487	1	Pin, Dowel, 1/4 Dia X 1.50 Long
28	M08187	4	Washer, .128 ID X .238 OD
29	M08087	4	Rivet, Blind, .125 X .328 Long
30	M07987	2	Threaded Insert, #10-32
31	I16387	-	Lubricant, Super Lube w/ Teflon
32	C23199	-	Lubricant, Moly, Syringe
33	M09887	1	Shear Plate, 3/4", UL
34	M09387	1	Shear Plate, UL, 1/2" (Optional)
35	M07687	1	Tool adapter # 1, UL
36	M08288	1	Adapter clamp, UL



See page 6 for parts list

Trouble-Shooting

1. **Lock slips down in buckle:** Tighten blade mounting screws. If lock on clamp is still not adequate, reduce tension on tool by setting torque setting on the drill clutch to a lower number.
2. **Safety clutch between drill and tool releases prematurely:** Make sure tool is fully seated on drill. (see page 4) If problem still remains, contact BAND-IT technical support.

Note: To prevent over-travel safety clutch wear, do not over-use safety clutch. When tensioning clamp, let drill switch go as tension block nears its end of travel. Reverse drill and send tension block all the way forward for a second pull on the band.

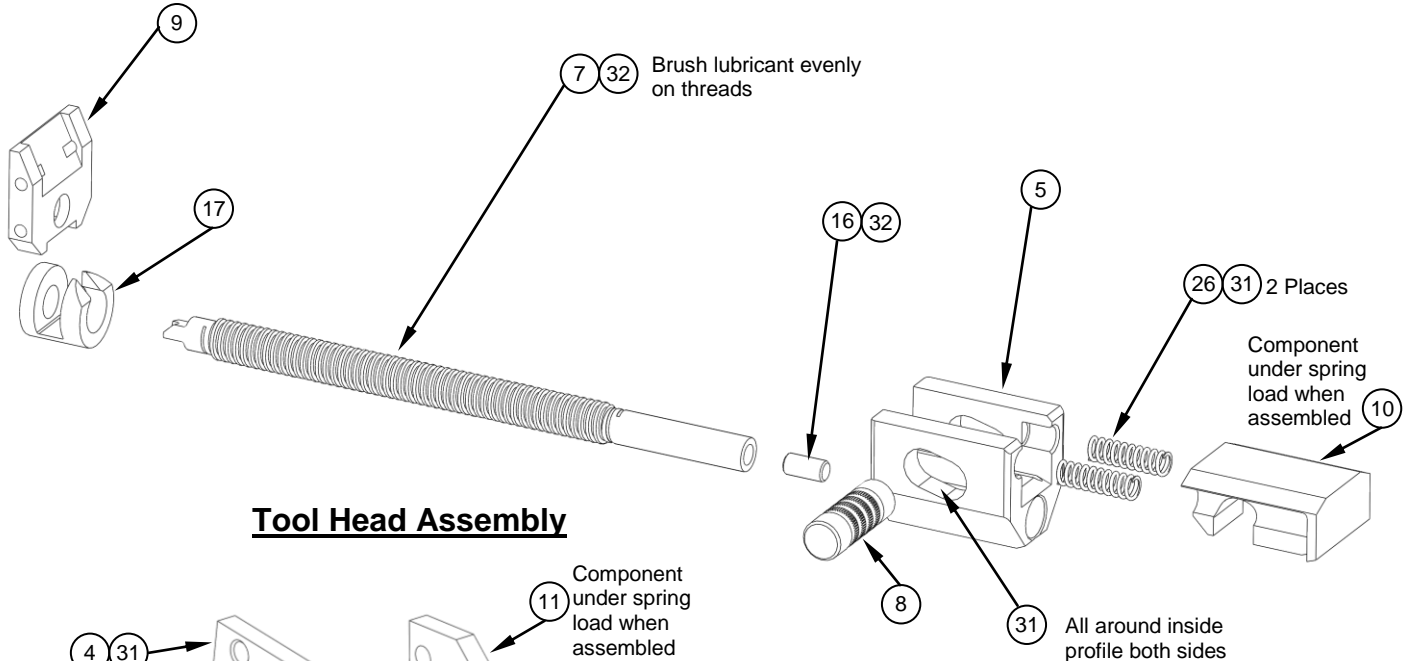
3. If tool does not cut off on initial setting:

Step 1: Pull trigger of tool after engaging cutter blade.

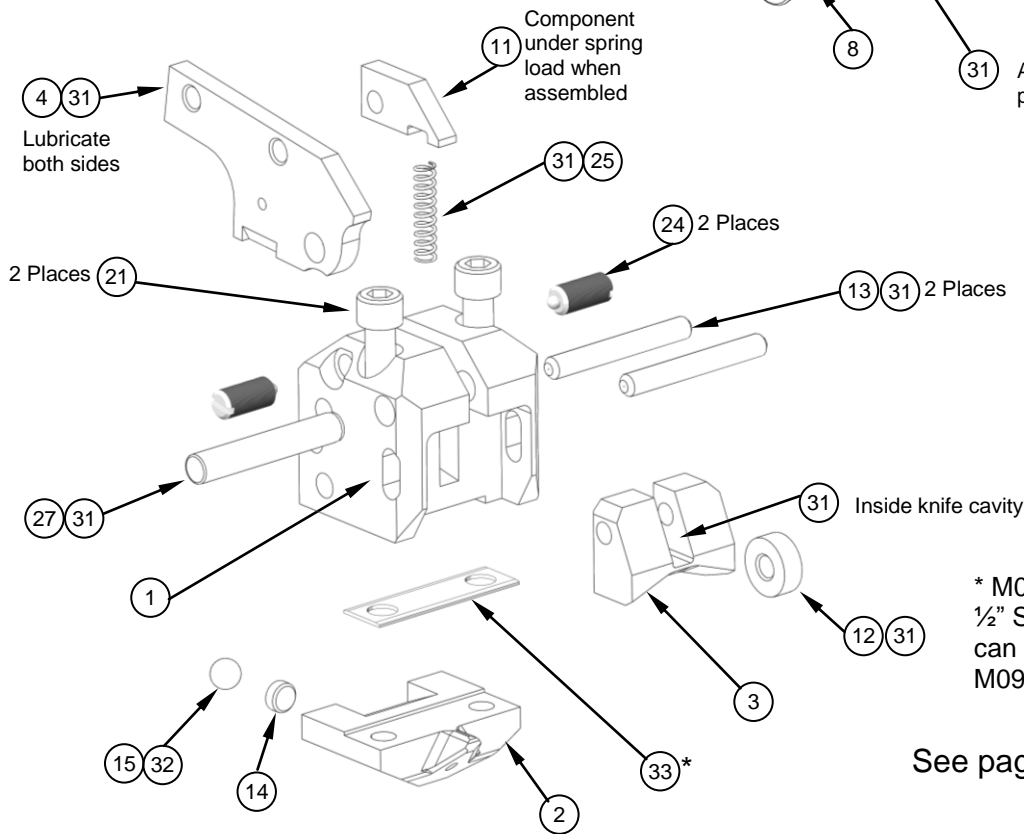
Step 2: Increase torque setting slightly, and repeat tensioning band and engaging of cutter blade.

Step 3: Repeat steps 1 and 2 until band cuts.

Tension Gripper Assembly



Tool Head Assembly



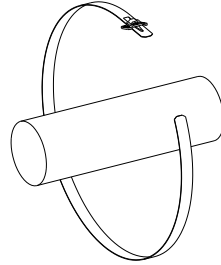
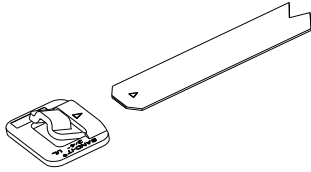
See page 6 for parts list

Clamp Application Free-End Clamps

BAND-IT[®]

UL4000 Ultra-Lok[®] Tool

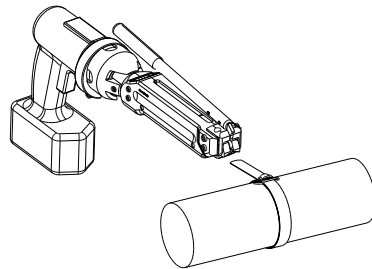
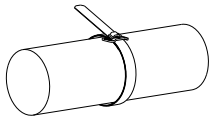
Warning: Always wear safety glasses when operating tool.



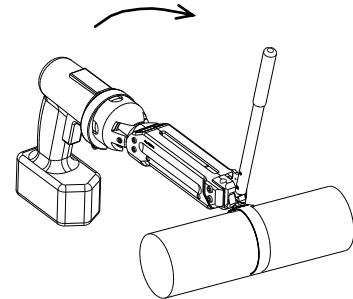
1. Break off an Ultra-Lok[®] Free-End tie from the roll. Slide the buckle onto band with indented arrows pointing in same direction and same side up. Slide buckle all the way onto band until it comes to a stop between the two buckle dimples at opposite end of tie.

2. Wrap tie around object to be clamped. Insert the tie through buckle once for single-wrap or twice for double-wrap. Double-wrapped clamps have more than 3 times the loop-tensile strength.

3. If desired, you may preform a clamp in the same fashion as step 2, or use a preformed clamp in place of a Free-End



DO NOT FEATHER the drill's TRIGGER when tensioning a clamp. USE FULL SPEED OF TOOL

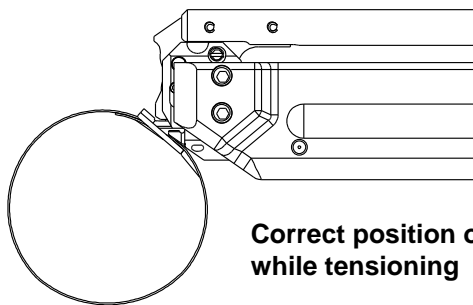


Push all the way forward to a solid stop

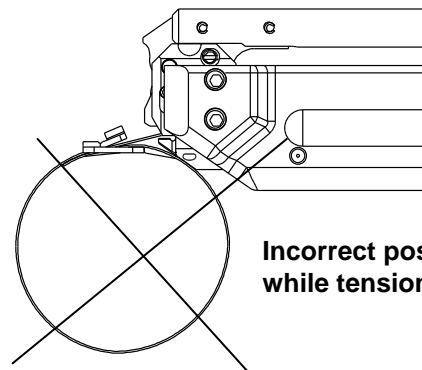
4. Position the tie on the object you are clamping. Pull the wrapped tie hand-tight. Slightly bend the tail up to keep the clamp in place

5. Actuate drill until tension block is all the way forward against the tool body. Set drill to clock-wise rotation. With cut-off handle down as shown, insert clamp tail into tool head slot. Actuate drill until drill's built-in clutch disengages. If tension block comes near its end of travel, release actuator switch and reverse drill to pull more on clamp tail. Excessive use of disengaging clutch indicated by a loud ratcheting sound leads to premature wear of tension screw.

6. Do not force tool against clamp; it may result in a folded clamp tail.
7. Pull the cut-off handle forward to cut tail off and form a lock, then return handle to the down position. Reverse drill and feed clamp tail out of tool.
8. Tap down buckle shroud to complete clamp. Tool is ready for next clamp.



Correct position of tool while tensioning



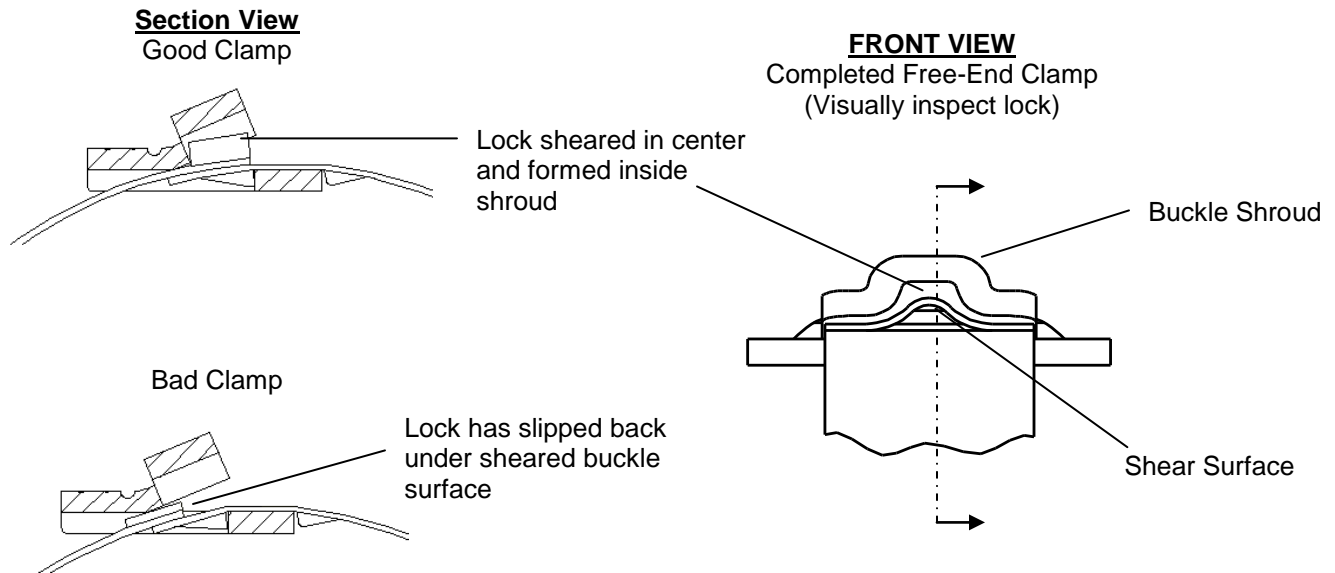
Incorrect position of tool while tensioning

Clamp Application Free-End Clamps

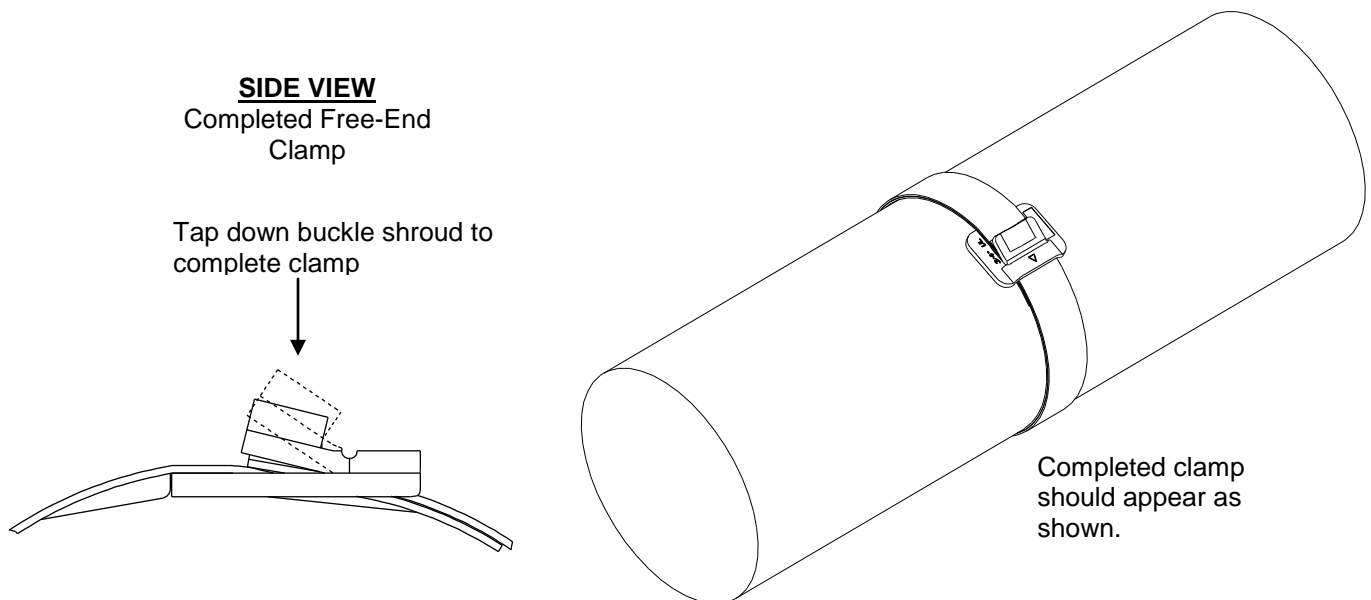
BAND-IT®

UL4000 Ultra-Lok® Tool

Inspect buckle on completed clamp and tap down buckle shroud.



Important: Visually inspect lock formed in band as shown. If lock has slipped under the sheared surface of the buckle, remove clamp and install a new one at reduced tension by lowering the drill clutch torque setting.

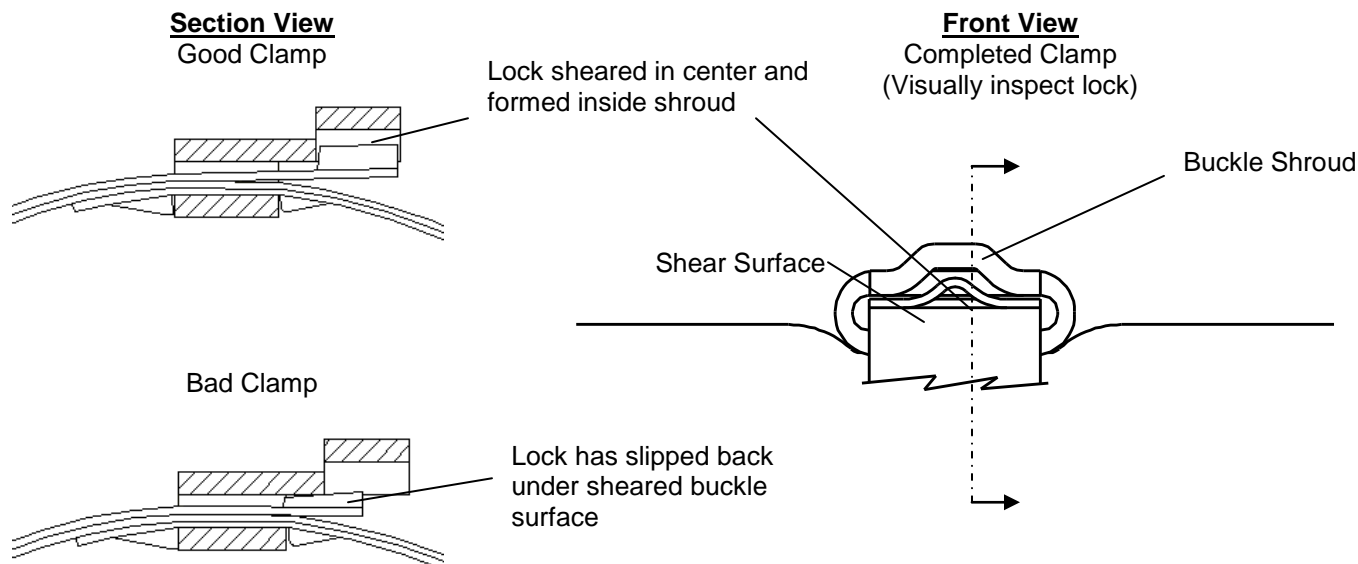


Clamp Application Preformed Clamps

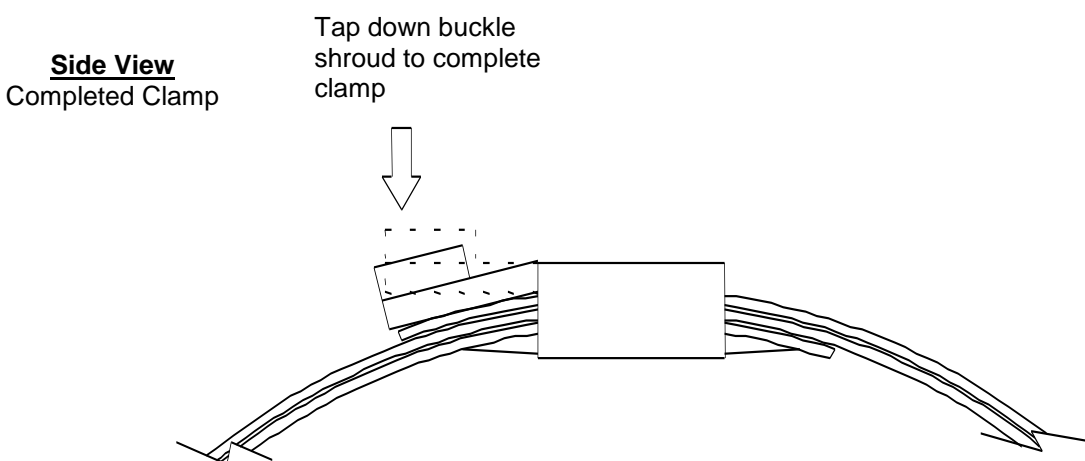
BAND-IT®

UL4000 Ultra-Lok® Tool

Place clamp in desired position on object to be clamped.
Follow steps 5 and 6 on page 9.
Inspect buckle on completed clamp and tap down buckle shroud as shown below.



Important: Visually inspect lock formed in band as shown. If lock has slipped under the sheared surface of the buckle, remove clamp and install a new one at reduced tension by lowering the drill clutch torque setting.

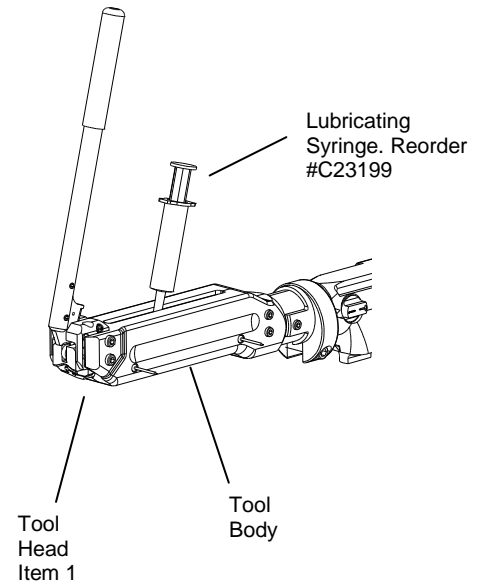


When applying clamps on soft, thick-walled hose, tension clamp then wait a full 30 seconds. Clamps may be retensioned by squeezing the actuator switch on the power unit a second time prior to forming the lock and cutting the excess clamp tail. This allows hose to “settle” under the band of the clamp. This hose material attribute is called Cold Flow. Finally, complete clamp by tapping down the buckle shroud as described above.

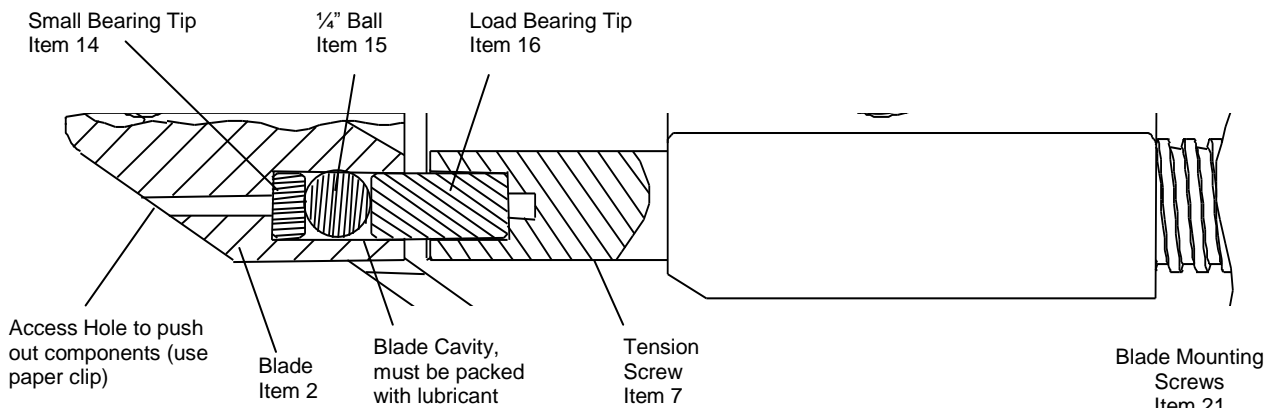
1. Approximately every 500 clamps, lubricate tension screw with molybdenum disulfide lubricant, or equivalent. Make sure tension block is all the way forward against the tool head. Remove cap from syringe and insert tip of syringe into slot on top of tool body. Press the tip against the tension screw just behind the tension block and squeeze out approximately 1/2" long bead of lubricant. Remove syringe, and actuate tool without a clamp a couple of times to spread lubricant evenly on tension screw.

To order more lubricant, specify BAND-IT #C23199

2. Every 500-1000 clamps, depending on tension setting, inspect and repack front bearing with same lubricant. Turn load bearing tip and small bearing tip over for a new bearing surface.



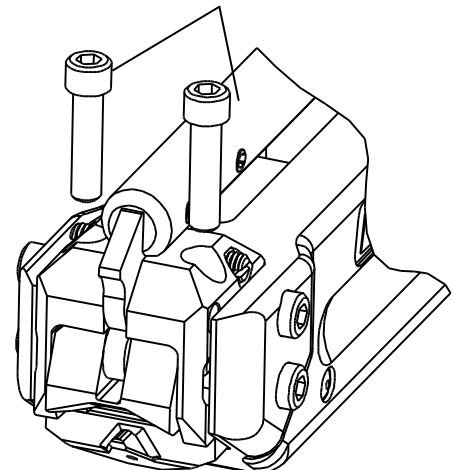
Bearing Detail



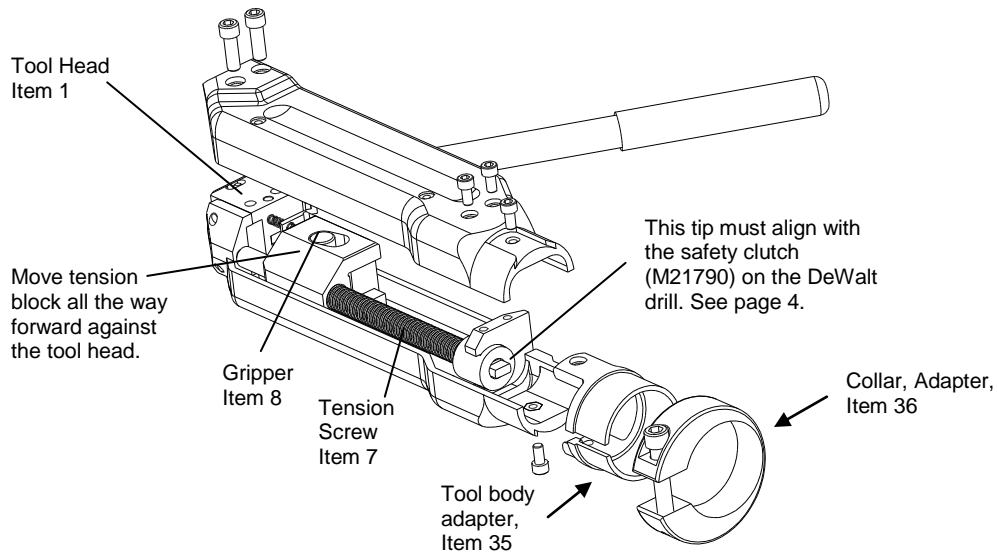
3. To gain access to bearing components: remove blade mounting screws (2 places) and slide blade free. Paper clip may be used to push bearing components out of blade. Wipe lubricant from components. If ball or bearing tips appears heavily worn, replace with new one. Note: 1/4" ball is made from hard tungsten carbide material, do not replace with regular ball bearing. (Smooth indentation from ball in the bearing tips is normal).

To re-assemble bearing components: wipe blade cavity clean. Push small bearing tip into blade cavity. Apply lubricant to ball and push into blade cavity and fill remaining space with lubricant. Push load bearing tip firmly into blade cavity, some lubricant will be squeezed out. Re-attach blade to tool head, making sure that load bearing tip extends into tension screw. While turning blade mounting screws into blade, push on blade rearwards. Tighten screws to approximately 120 in-lbs.

4. When replacing worn blade follow instructions above to properly re-assemble bearing components.



5. To replace gripper: Make sure tension block is all the way forward against the tool head. Remove drill. Remove tool adapter body. Remove one side of the tool body or the other, not both. Slide gripper out sideways and replace with a new one. Re-attach tool body side. **Caution:** Do not push or move tension block while gripper is out of tool.



6. To replace tension screw: Move tension block all the way back (away from tool head) using drill in tensioning mode (clock-wise). Remove Ultra-Lok[®] tool from drill. Remove the tool adapter body from the Ultra-Lok[®] tool. Remove blade and load bearing tip from tensioning screw (see bearing detail). Remove one side of the tool body or the other, not both. Grasp the smooth barrel on tension screw and pull all the way forward until tension block is against the tool head. If tension screw is stuck, use a punch and tap the center of the screw from the back end of the tool. Turn tension screw out of tension block. Lubricate new tension screw with Molybdenum Disulfide lubricant, or equivalent. Install new tension screw in reverse order, making sure that back end of tension screw extends well beyond the back end of the tension block. Push the assembly all the way back and extend the round portion of the tension screw through holes on the tripper bracket and back guide plate. Reinstall tool body side. Reinstall blade and tighten the blade mounting screws approximately 120 in-lbs. Reattach tool adapter body to Ultra-Lok[®] tool. Reattach tool to drill and drive tension block all the way forward.

Note: Drills needing repair must be forwarded to an authorized 'DeWalt' repair center in your area. Be sure to remove BAND-IT safety clutch (M21790) from drill.

DeWalt Drill is covered solely by the DeWalt warranty as described in the DeWalt literature. BAND-IT does not extend any warranty of any kind to the drill.

Optional 1/2" Tool Blade Change

BAND-IT®

UL4000 Ultra-Lok® Tool

To change out the UL4000 tool to the 1/2" version, the following steps should be followed.

***NOTE: Do not attempt to use 1/2" clamps with 3/4" head. (Adapter change-out: 3-5 minutes)**

1. Prior to separation from power drill, back off tension block assembly 1/2" from head unit. See page 7.
2. Detach tension body from the battery-powered drill by loosening the single tensioning bolt on the aluminum collar and separating the two sections.
3. Remove the blade from head by removing two cap screws (M05787) from the top of the head. It is not necessary to remove entire head from tool in order to remove blade. (Figure 1) Remove the 3/4" adapter plate from the blade.
4. Align the 1/2" adapter plate (M09387) with the blade (M09787) so that the guide is facing up. Incorrect placement will not allow bands to be inserted into the tool. (Figure 1)
Note: To convert tool back to 3/4", replace 1/2" insert with 3/4" insert (M09887) and follow same instructions. Be sure to retain unused shear plate for later use.
5. Attach the blade and 1/2" adapter plate onto head using the two previously removed cap screws. These cap screws must be tight to assure proper cut-off of clamp tails.
6. Re-attach drill to tension body making sure the drill and tension body are properly aligned, and tighten the single adapter cap screw located on the aluminum collar.
7. **This tool is not designed to work with traditional band and buckle designs. BAND-IT Ultra-Lok® clamps must be used.**

